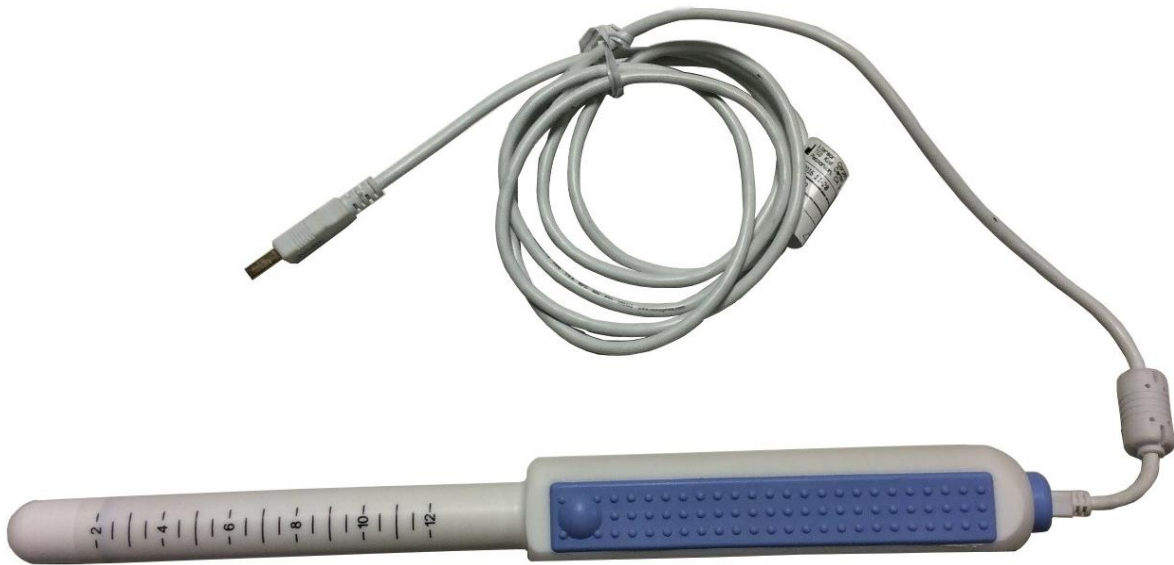




THD EAUS PROBE 12MHZ



Use

The probe is used for anorectal ultrasound.

General Description

THD Procto EAUS Probe is an ultrasound probe distributed by THD.

The probe work frequency is 12MHz and it can generate 360° high resolution images.

The probe can be used with THD ProctoSoftware.

The probe is compact, easy to handle, light weight and with an integrated activation button in the handle.

The graduated scale in mm allows an easy identification of the depth position.

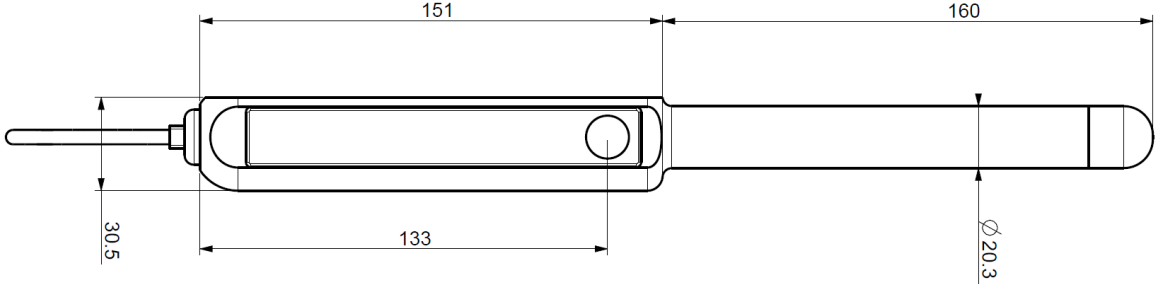
The rotating crystal for the acquisition of the probe's signal is integrated in the probe, therefore there are no moving components in contact with the patient.

To better reach different depths, THD Procto Software allows to regulate the probe between 10 and 15 MHz.

The Probe connects via USB to the THD ProctoStation (REF. 800198) or THD ProctoMobile (REF. 800194)

The probe is supplied with a USB pedal controller and customized, protective and easy to carry case.



Dimensional Features	
THD EAUS PROBE 12MHZ	
	
Diameter	20 mm
Introducer Length	160 mm
Total Length	311 mm
Handle Diameter	31 mm
Graduated Scale	0 ÷ 12 cm
USB 2.0 Cable Length	180 cm
Weight	300 g

Functional Features	
Risk Class	IIa
Connectivity	Standard USB (2.0) port
Transducer Frequency	High Band Width, Single Element(12 MHz)
Selectable Deepness	2 cm until 6 cm
Focal Point	1.6 cm
Maximum Deepness	6 cm
Displayable Deepness	4÷10 cm
Feed	5 V DC ±5% a 500 mA (max), 2.5 W (From PC USB port)
Operational Conditions (T°C, H%)	10÷35°C, 20÷80% of humidity
Storage Condition	-10÷50°C
Certification	CE 0086

THD EAUS PROBE 12 MHZ		
Q.ty	Cod.	Description
1	800179	THD EAUS PROBE 12MHZ